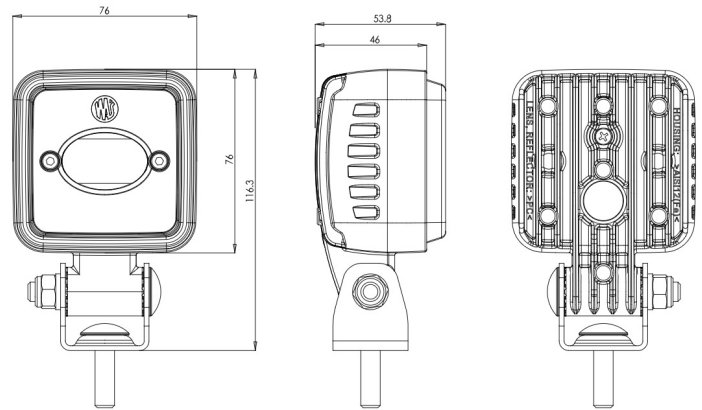


LIGHTS FRONT AND REAR

VL-LIJN-BL

LED Safety light | blue | for forklift | 12-70V | projection of line

EAN: 5414184420229



Specifications

Characteristics	100% aluminium housing 'anti-corrosion' with heat conductive black coating	Lumen	700
Color	Blue	Mounting	Bolt
Colour of LEDs	Blue	Number of LEDs	3
Colour of lens	Clear	Operating voltage	12V - 70V
Connection	Open cable ends	Packing	POS packaging
Dimensions	76 mm x 54 mm x 117 mm	To be ordered by	1
EMC	EMC	Type	Line projection
IP-degree	IP6K9K	Type	Safety lights
Length of cable (m)	2,50 m	Watt	9 Watt
Light source	LED	Weight (kg)	0,550 Kg