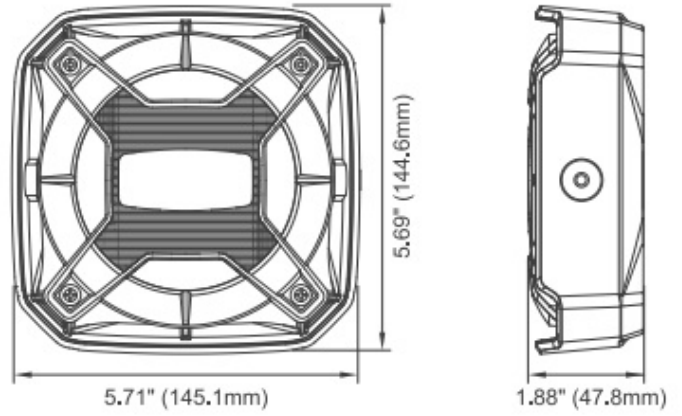
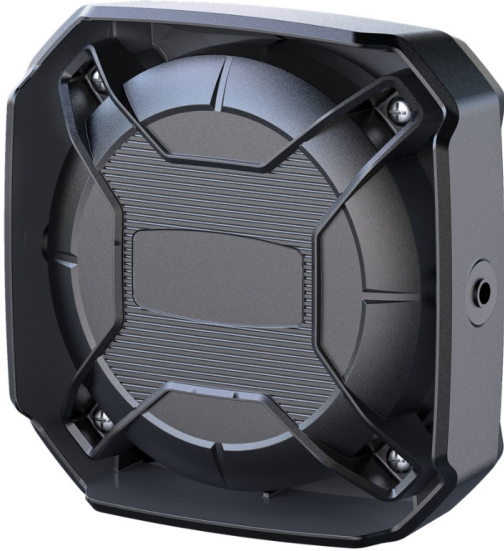


# SIRENS AND SPEAKERS

SP-H9

Speaker JS100-SP | 100W | 11 ohm | 120 dB

EAN: 5414184223967



## Specifications

Characteristics	Composite plastic housing, anti-corrosion, rigid and suitable for the most extreme conditions
Decibel	120 dB(A) @ 3 meter
Dimensions	145 mm x 145 mm x 48 mm
IP-degree	IP54
Mounting	Bracket
Operation temperature	-30°C / +65°C

Specifications	11 ohm
Supplied with	L-bracket
To be ordered by	1
Type	Speaker
Watt	100 Watt
Weight (kg)	1,48 kg