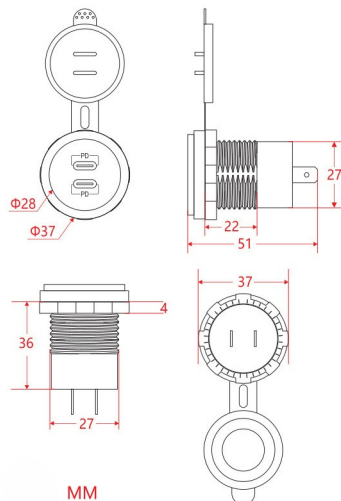


# AUXILIARY ELECTRICAL COMPONENTS

581-USB-CC

Dual USB-C | build in

EAN: 5414184416215



## Specifications

Characteristics	Dubble USB C - 2 x 20 watt PD - 5 volt	Operating voltage	12V - 24V
Connection	Push-on terminals	To be ordered by	1
Dimensions	52 mm x 41 mm x 41 mm	Type	USB
Mounting	Recess mount	Weight (kg)	0,039 Kg