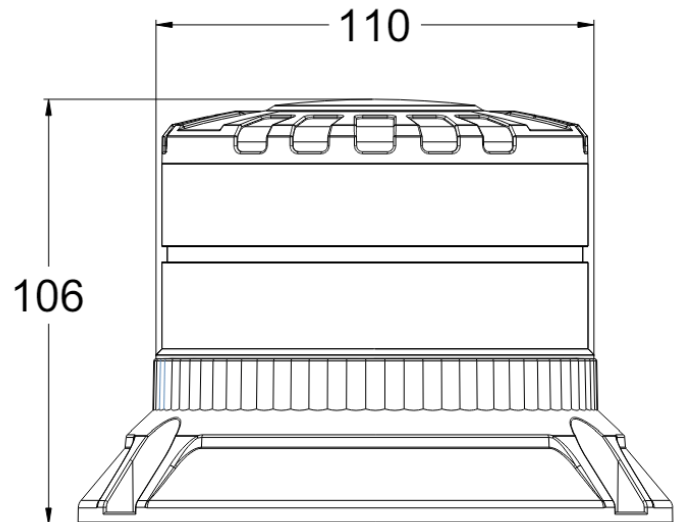


# ROTATING BEACONS

625-DV-OR

Rotating beacon Brightics | LED | 3 bolt mount | 12-24V  
| amber

EAN: 5414184336230



## Specifications

Color	Amber
Colour of LEDs	Amber
Connection	Open cable ends
Current draw 12V Amp	1,05 Amp in average - 2,8 Amp maximal
Current draw 24V Amp	0,5 Amp in average - 1,32 Amp maximal
Diameter mm	148 mm
Diameter range	171 - 210 mm
ECE R65 Class 1	Yes
ECE R65 Class 2	Yes
EMC R10	Yes
Good to know	Light has 'CRUISE' function integrated
Height mm	106 mm
Height range	70 - 110 mm
IP-degree	IP6K9K

Length of cable (m)	0,30 m
Light source	LED
Material	Aluminium
Mounting	3 bolt mounting
Number of LEDs	16
Number of flash patterns	3
Operating voltage	12V - 24V
Operation temperature	-30°C / +50°C
Packing	POS packaging
Supplied with	Mounting screws + seal
Synchronisable	Yes
To be ordered by	1
Watt	32 Watt
Weight (kg)	0,546 Kg