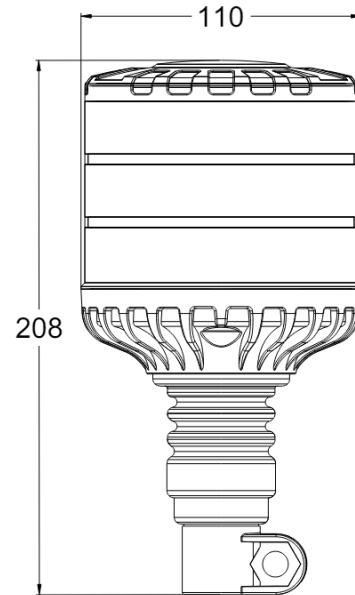


ROTATING BEACONS

645F-DV-OR

Rotating beacon Brightics | LED | flex. tube mounting | 12-24V | amber

EAN: 5414184871120



Specifications

Color	Amber
Colour of LEDs	Amber
Current draw 12V Amp	1,05 Amp in average - 2,8 Amp maximal
Current draw 24V Amp	0,5 Amp in average - 1,32 Amp maximal
Diameter mm	110 mm
ECE R65 Class 1	Yes
ECE R65 Class 2	Yes
EMC R10	Yes
Height mm	208 mm
Height range	171 - 210 mm
IP-degree	IP6K9K
Light source	LED

Material	Aluminium
Mounting	Tube mounting, flexible
Number of LEDs	24
Number of flash patterns	2
Operating voltage	12V - 24V
Operation temperature	-30°C / +50°C
Packing	POS packaging
Supplied with	Rubber fixing path
To be ordered by	1
Watt	48 Watt
Weight (kg)	0,546 Kg