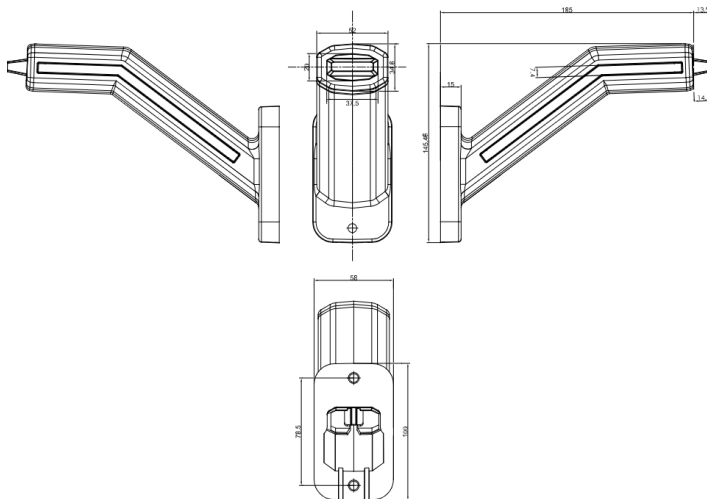


MARKERLIGHTS

2075L-DV

LED marker light | left | 12-24V | red/amber/white

EAN: 5414184239074



Specifications

Color	Amber/red/white	Mounting side	Left
Connection	Open cable ends	Number of LEDs	12
EMC	EMC R10	Operating voltage	12V - 24V
EMC R10	Yes	Packing	POS packaging
Functions	Outline marker 4 functions	With Direction indicator	Yes
IP-degree	IP6K9K		
Light source	LED		
Mounting	Surface mount		