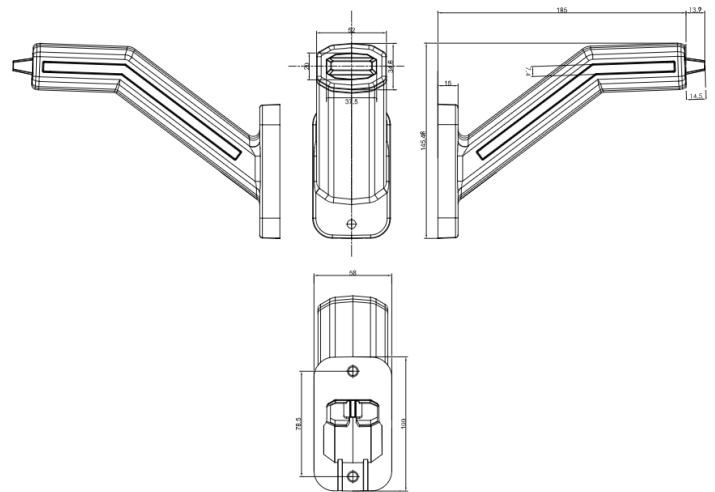


MARKERLIGHTS

2075R-DV

LED marker light | right | 12-24V | red/amber/white

EAN: 5414184185821



Specifications

Color	Amber/red/white	Light source	LED
Connection	Open cable ends	Mounting	Surface mount
EMC	EMC R10	Mounting side	Right
EMC R10	Yes	Operating voltage	12V - 24V
Functions	Outline marker 4 functions	Packing	POS packaging
IP-degree	IP6K9K	With Direction indicator	Yes