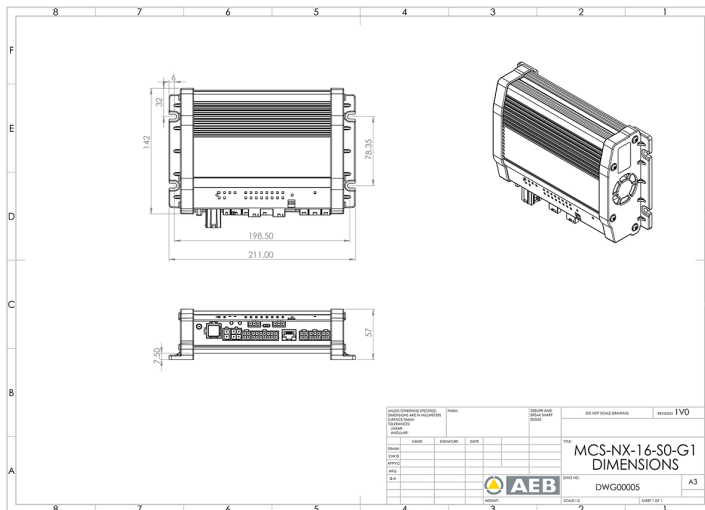
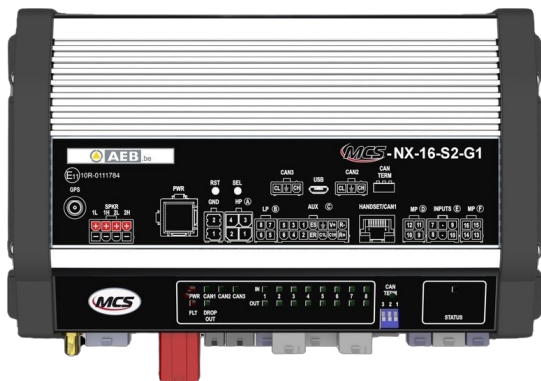


CONTROLS, SIRENS

MCS-NX-16-S0-G0

Control box NX | 16 outputs | no siren | no GPS

EAN: 5414184540538



Specifications

Current	70A
Dimensions	240x142x57mm
GPS	No
Operating voltage	10V - 30V
Outputs, detailed	16 Outputs: 4x 20A, 8x 8A, 4x 2,4A
Programmable	PC Programming

To be ordered by	1
Type	PC programmable control unit