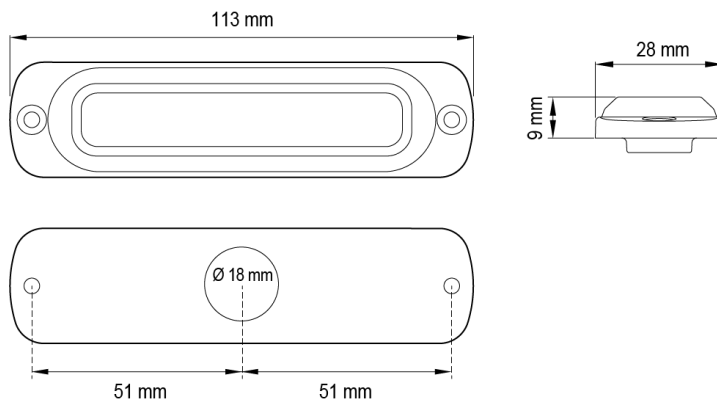


LED FLASHERS

ST6-OR-CL1-T

LED Flasher | 6 LEDs | 12-24V | amber | smoked

EAN: 5414184179295



Specifications

CISPR 25	12V : CISPR 25 Class 3 - 24V : CISPR 25 Class 2	Mounting	Surface mount
Color	Amber	Number of LEDs	6
Colour of lens	Smoked	Number of flash patterns	29
Connection	Open cable ends	Operating voltage	12V - 24V
Dimensions	113 mm x 28 mm x 9 mm	Operation temperature	-30°C / +65°C
ECE R65 Class 1	Yes	Shape	Rectangular/long/elongated
EMC	EMC R10	Supplied with	Mounting screws + seal
EMC R10	Yes	Synchronisable	Yes
IP-degree	IPX7	To be ordered by	1
Length of cable (m)	0,25 m	Weight (kg)	0,050 Kg
Light source	LED		