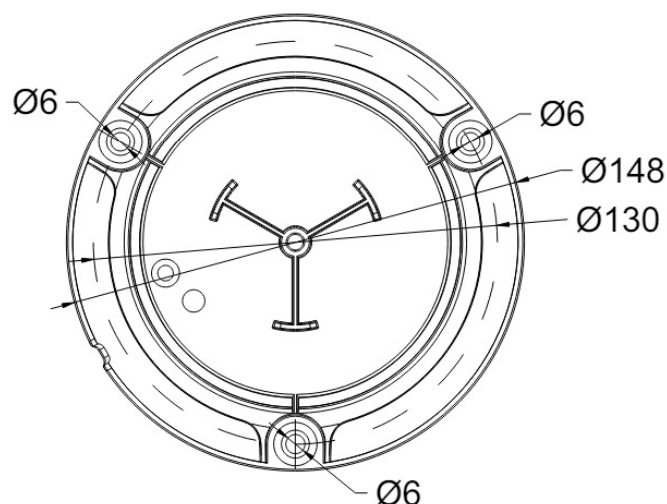


# ROTATING BEACONS

645HI-DV-OR

Rotating beacon Brightics high | LED | 3 bolt mount | 12-24V | amber

EAN: 5414184977440



## Specifications

Color	Amber
Colour of LEDs	Amber
Connection	Open cable ends
Current draw 12V Amp	1,05 Amp in average - 2,8 Amp maximal
Current draw 24V Amp	0,5 Amp in average - 1,32 Amp maximal
Diameter mm	110 mm
Diameter pad mm	148 mm
ECE R65 Class 2	Yes
EMC R10	Yes
Good to know	Lamp has also 'CRUISE' function integrated
Height mm	230 mm
Height range	211 - 240 mm
IP-degree	IP6K9K

Length of cable (m)	0,30 m
Light source	LED
Material	Aluminium
Mounting	3 bolt mounting
Number of LEDs	24
Number of flash patterns	3
Operating voltage	12V - 24V
Operation temperature	-30°C / +50°C
Packing	POS packaging
Supplied with	Mounting screws + seal
To be ordered by	1
Watt	48 Watt
Weight (kg)	0,546 Kg