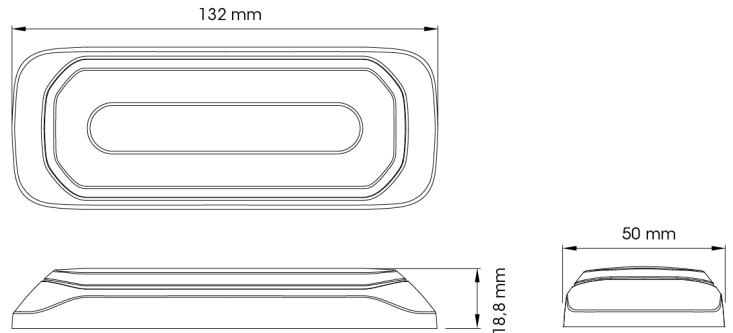
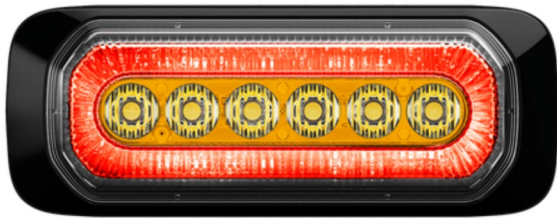


LED FLASHERS

HALO-RO/RO

LED Flasher | 6 LEDs | 12-24V | red/red

EAN: 5414184723856



Specifications

Certification	ECE R65+R7	Light source	LED
Color	Red/red	Mounting	Surface mount
Colour of lens	Clear	Number of LEDs	6
Connection	Open cable ends	Number of flash patterns	14
Dimensions	132 x 18,8 x 50 mm	Operating voltage	12V - 24V
ECE R65 Class 1	Yes	Shape	Rectangular/long/elongated
EMC	EMC R10	Supplied with	Mounting screws, gasket, manual
EMC R10	Yes	Synchronisable	Yes
IP-degree	IPX8	To be ordered by	1
Length of cable (m)	0,25 m	Weight (kg)	0,300 Kg