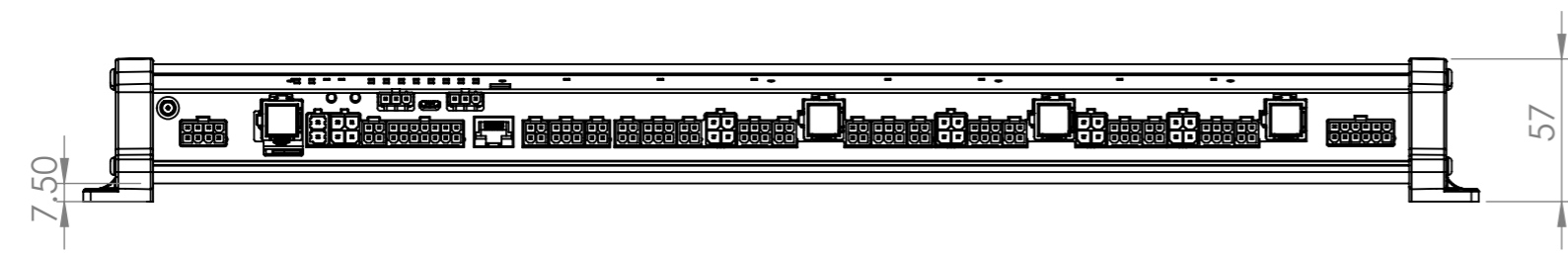
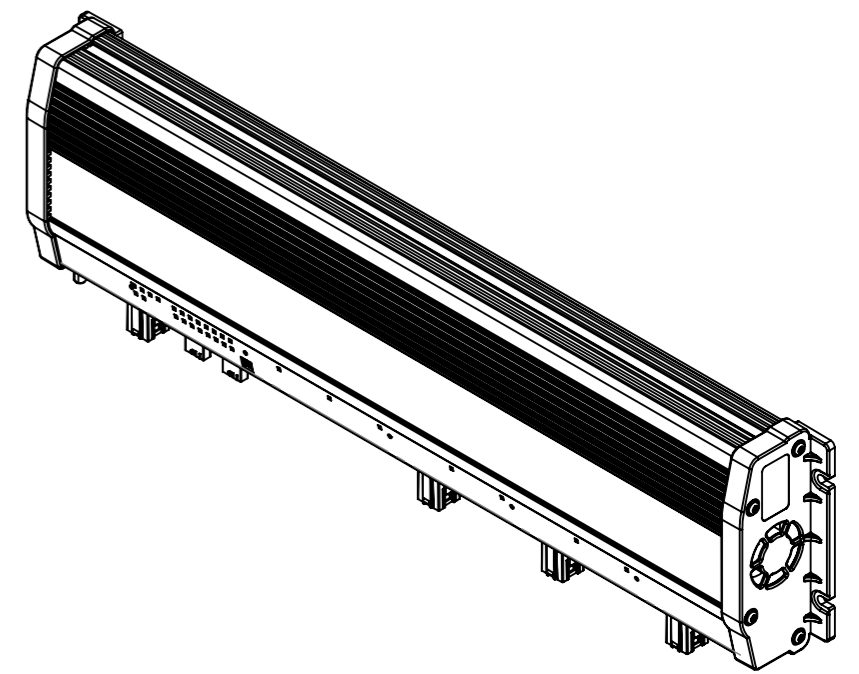
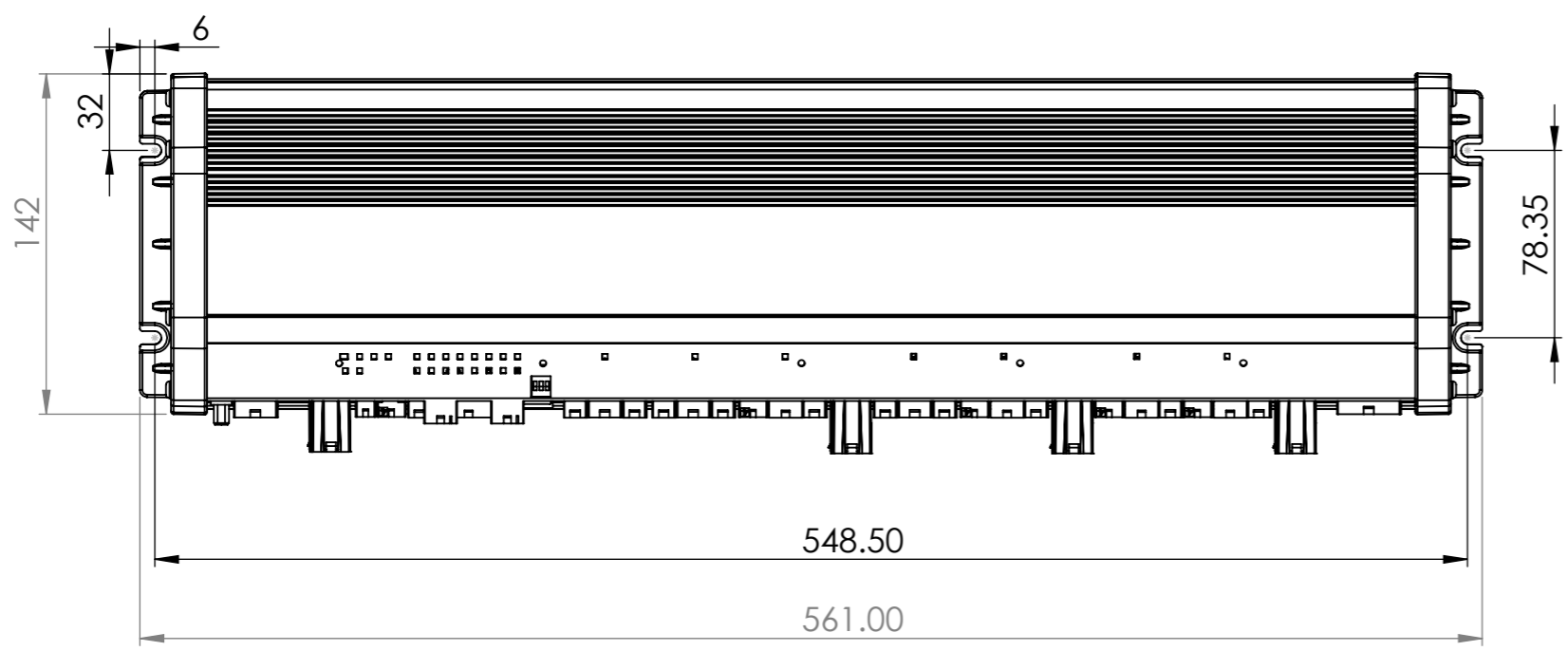


8 7 6 5 4 3 2 1

F
E
D
C
B
A



APPLICABLE UNITS
MCS-NX-64-S2-G0-A1
MCS-NX-64-S2-G1-A1

UNLESS OTHERWISE SPECIFIED: DIMENSIONS ARE IN MILLIMETERS		FINISH:		DEBURR AND BREAK SHARP EDGES		DO NOT SCALE DRAWING		REVISION 1V0	
SURFACE FINISH:									
TOLERANCES:									
LINEAR:									
ANGULAR:									
	NAME	SIGNATURE	DATE			TITLE: MCS-NX-64-S2-A1 DIMENSIONS			
DRAWN									
CHK'D	Kline	<i>Kline</i>	16/08/2023						
APPV'D									
MFG									
Q.A									
						DWG NO. DWG00017		A3	
						SCALE:1:5		SHEET 1 OF 1	



8 7 6 5 4 3 2 1